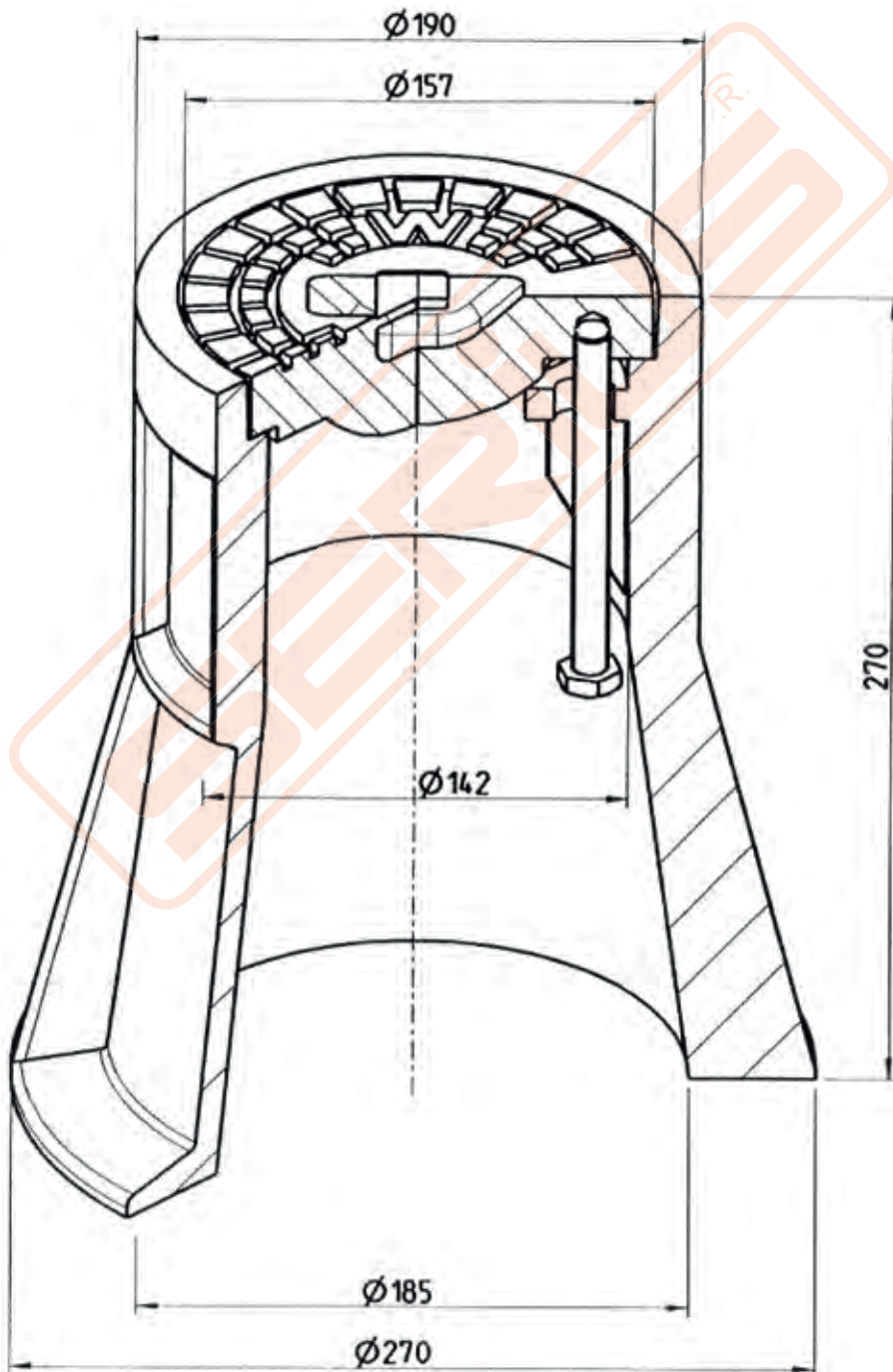


# ENGINEERING DRAWING: MODEL: 4056 S

**DIN 4056:**

Applied on shutoff valves. Shutoff valves are needed on repairs, to take off the pressure in the pipes.

In parts, the surface boxes are also applied contrary to the DIN on house connections.

The cover is marked with "W".

The "W" should always be in flow direction, or on circular pipelines in direction of pipe routing.

