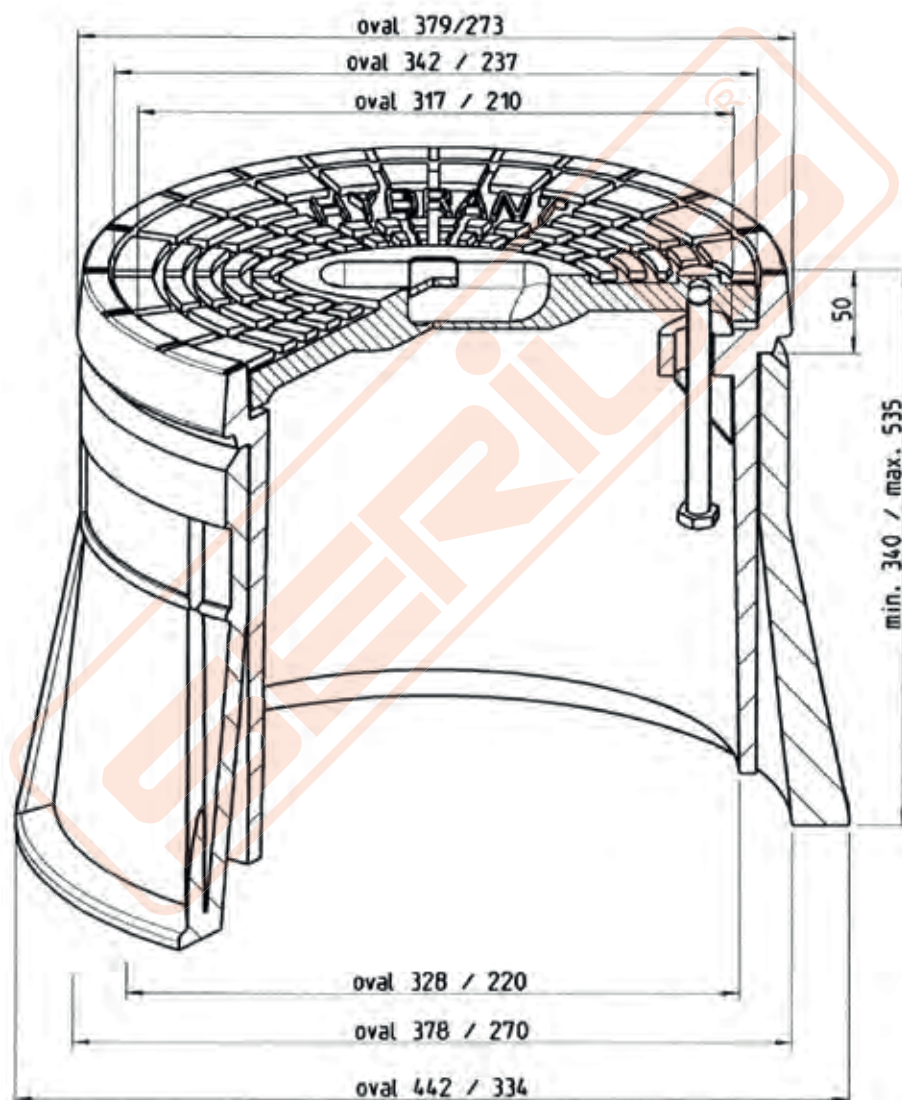


Quality that builds confidence.



## ENGINEERING DRAWING:

MODEL: 4055 V



### DIN 4055:

Applied on hydrant surface boxes, and marked with "HYDRANT".

### Modelvarianten:

Non-adjustable and height-adjustable

