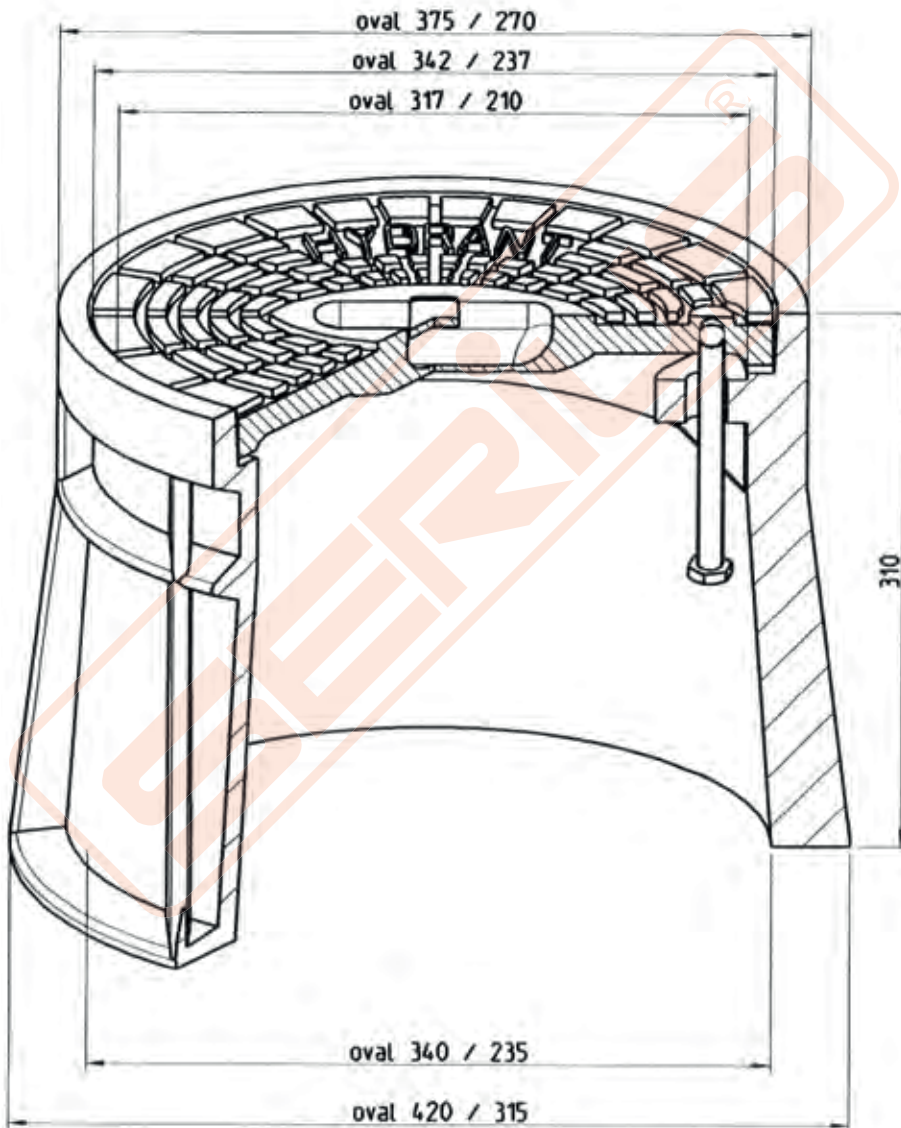


Quality that builds confidence.



ENGINEERING DRAWING: MODEL: 4055 S



DIN 4055:

Applied on hydrant surface boxes, and marked with "HYDRANT".

