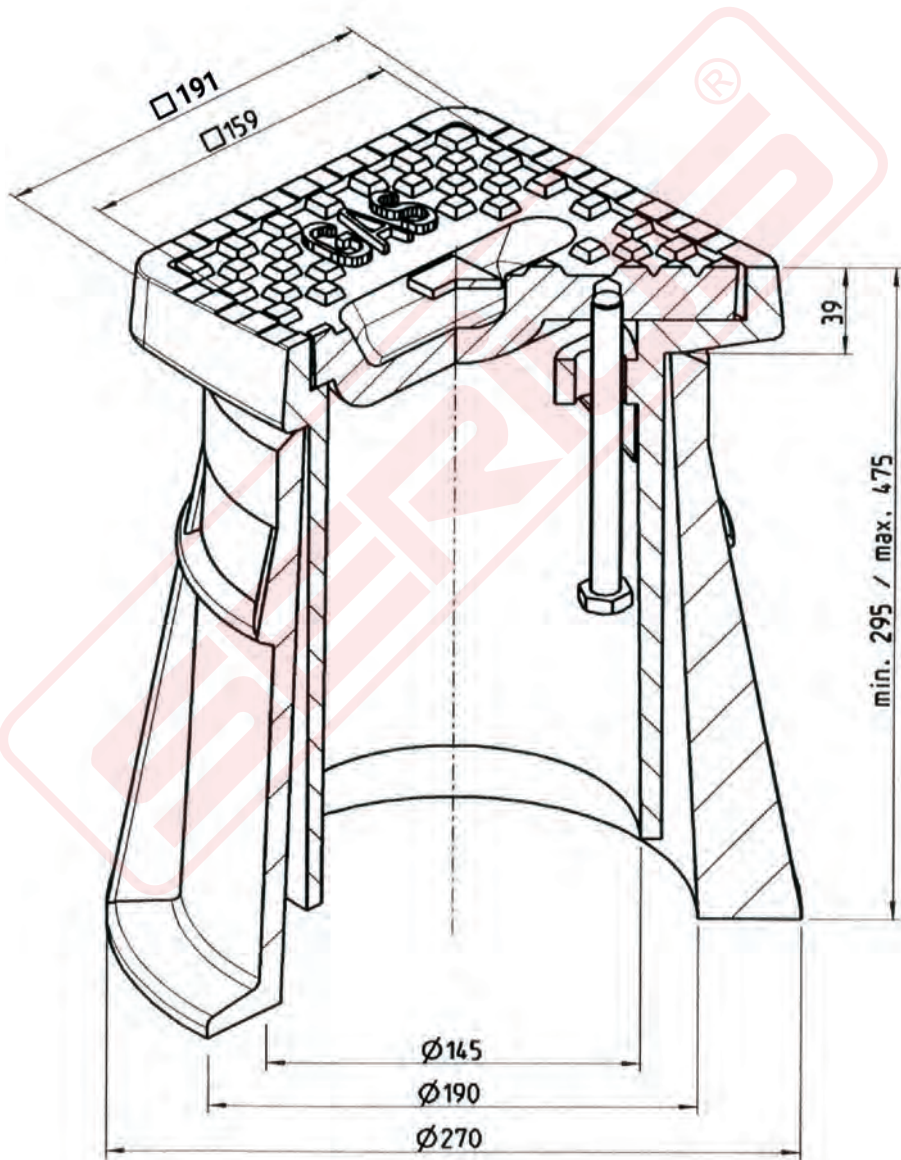


ENGINEERING DRAWING: MODEL: 3581 V



DIN 3581:

Commonly applied on gas lines
There are three different markings:

- = shutoff device
 - + = master pipe
 - = condensate collector (pressure nozzle)
- The cover is marked with "GAS".

Modelvarianten:

Non-adjustable and
height-adjustable

