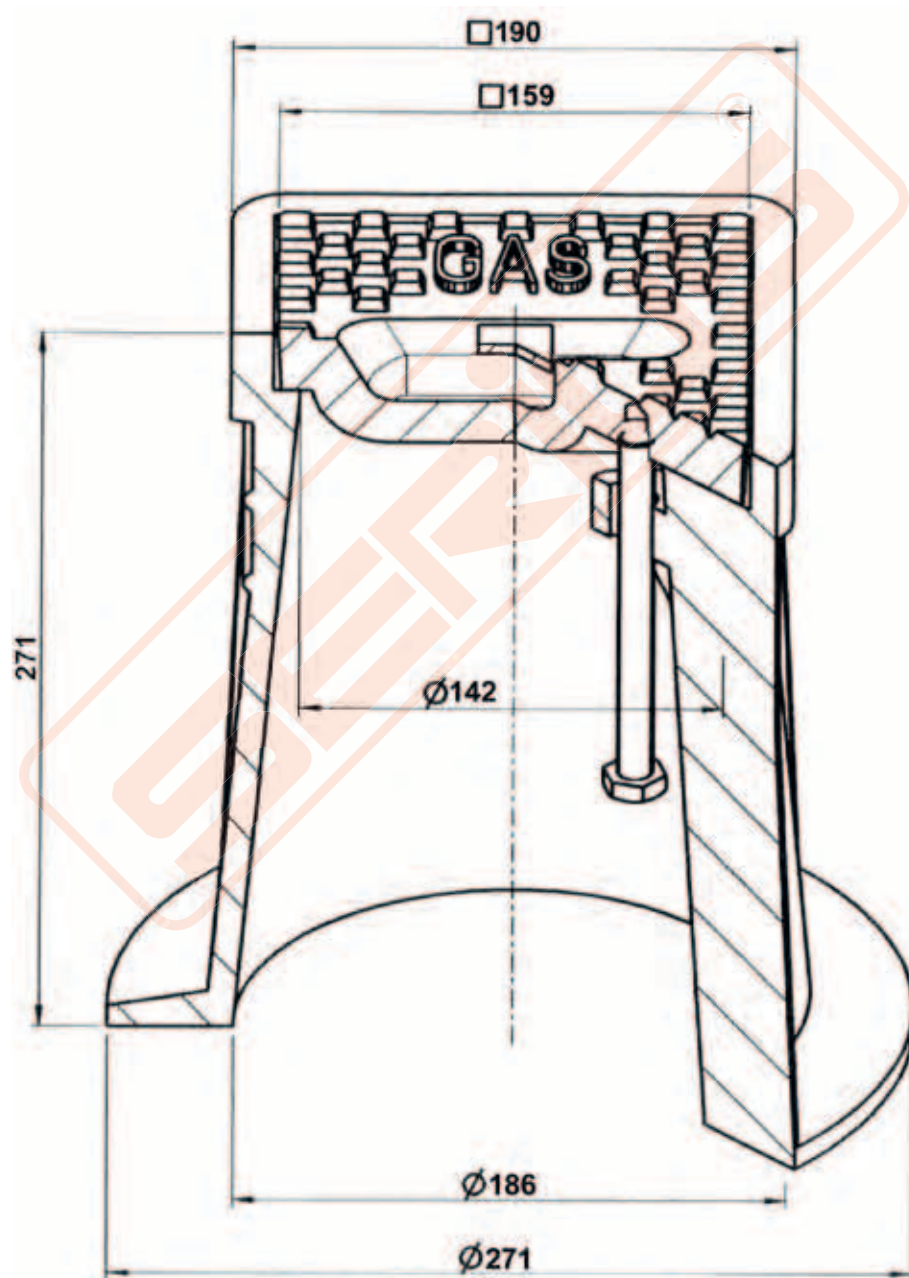


Quality that builds confidence.

SERIOUS[®]

ENGINEERING DRAWING:

MODEL: 3581 S

**DIN 3581:**

Commonly applied on gas lines
There are three different markings:

- = shutoff device
 - + = master pipe
 - = condensate collector (pressure nozzle)
- The cover is marked with "GAS".

